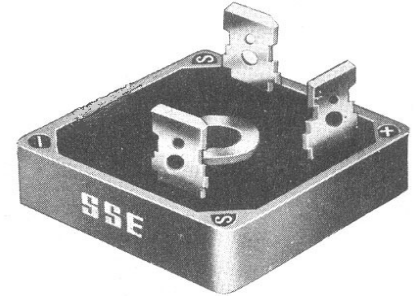


SCHOTTKY RECTIFIER BRIDGES

CENTER TAP RECTIFIERS

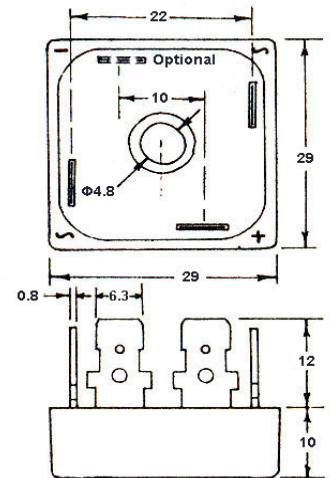
- * Electrically Isolated Metal Case
- * Upto 600 Amperes Surge Capability
- * Universal 3-way terminals - 6.3mm Faston
- * Wide temperature range: - 40°C to 150°C
- * Zero Recovery, High frequency
- * Positive or Negative Output



MAXIMUM ELECTRICAL RATINGS & CHARACTERISTICS

I_L (AV)	Average Forward Load Current @ $T_C = 55^\circ\text{C}$	CRMSB10... 10 A CRMSB25... 25 A CRMSB35... 35 A CRMSB50... 50 A
I_{FSM}	Non-repetitive Peak Forward Current	CRMSB10... 200 A CRMSB25... 300 A CRMSB35... 400 A CRMSB50... 600 A
V_{FM}	Peak Forward Voltage at rated Current (per leg) upto 150V Peak Forward Voltage at rated Current (per leg) upto 300V Peak Forward Voltage at rated Current (per leg) upto 600V	0.6 V 1.2 V 1.7 V
I_{RRM}	Peak Reverse Current (per leg)	$T_J = 25^\circ\text{C}$ 2.0 mA Rated $T_{J(MAX)} = 10.0$ mA

OUTLINE DRAWING



HEATSINK
MOUNTING
PLATE

ALL DIMENSIONS IN MM.

THERMAL & MECHANICAL DATA

$R_{\theta JC}$	Thermal Resistance: Junction to Case Junction to Ambient	1.5°C/W 10.0°C/W
T_{STG}, T_{JM}	Operating & Storage Temperature Range	-40°C to +150°C
W	Approximate weight	20 g
POLARITY	+ DC output) - DC output) ~ AC input)	Terminal designation embossed on Metal Case.

CASE Metal, isolated from terminals, isolation voltage: 2500V_{RMS}.

MOUNTING Bolt down, any position, use 3/16 bolt with spring/belleville washer. Mounting torque = 0.2 kg-M. Use thermal grease on flat side opposite terminals, when mounting on heatsink or chassis or metal plate; this will ensure maximum heat dissipation. Metal filled epoxies may also be used instead of bolting.

TERMINALS 6.35mm Faston, 3-way suitable for snap-on, wrap around or soldering, Corrosion resistant. Soldering (at 180°C for 15 sec. with MRB on heatsink) is recommended for load of 15 Amps and above.

TYPE NUMBERS & VOLTAGE RATINGS (VOLTS)

	CRMSB...10F	CRMSB...10A	CRMSB...10G	CRMSB...10B	CRMSB...10H	CRMSB...10C	
	CRMSB...25F	CRMSB...25A	CRMSB...25G	CRMSB...25B	CRMSB...25H	CRMSB...25C	
	CRMSB...35F	CRMSB...35A	CRMSB...35G	CRMSB...35B	CRMSB...35H	CRMSB...35C	
	CRMSB...50F	CRMSB...50A	CRMSB...50G	CRMSB...50B	CRMSB...50H	CRMSB...50C	
V_{RRM}	Peak Reverse Voltage (per leg)	50	100	150	200	250	300
V_R	DC Blocking Voltage (per leg)						
V_{DC}	DC Output Voltage Resistive / Inductive Load Capacitive Load						

Use suffix "N" for Negative output Bridges.

RATING AND CHARACTERISTIC CURVES

FIG. 1

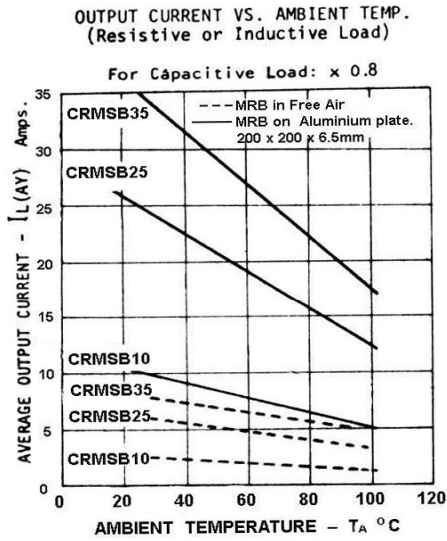
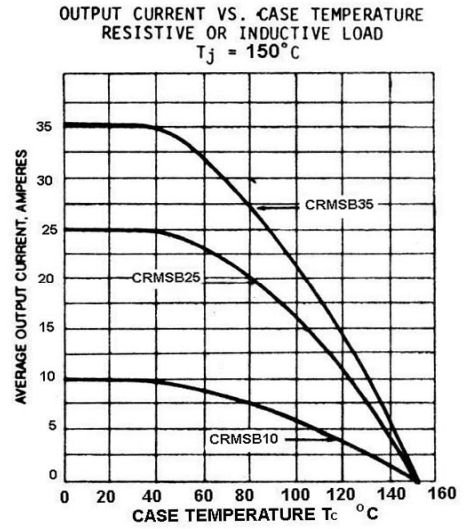


FIG. 2



For Capacitive Load: $\times 0.8$

FIG. 3

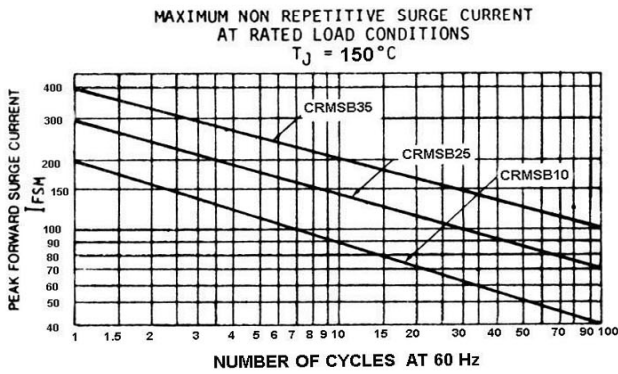
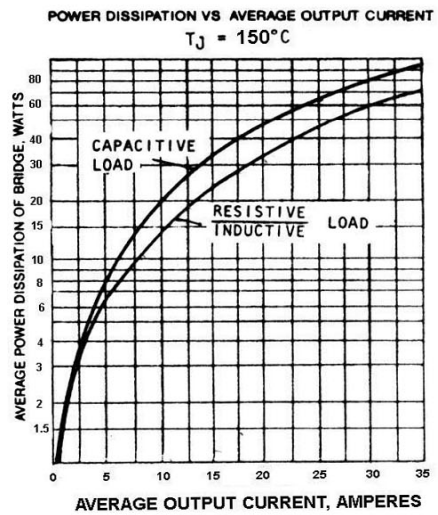


FIG. 4



Manufactured by:



SSE[®]



SOLID STATE ELECTRONICS CO. P. LTD.

9/123, Marol Co-op. Industrial Estate, P O Box 7432

Marol Sagbaug, Andheri (East), Mumbai 400 059

Tel: 2850 - 3986 / 2850 - 8653 Fax: 91 - 022-2850 - 6214



Web: www.SolidStateIndia.com

E-mail: sales@SolidStateIndia.com

TREND SETTERS IN POWER SEMICONDUCTORS